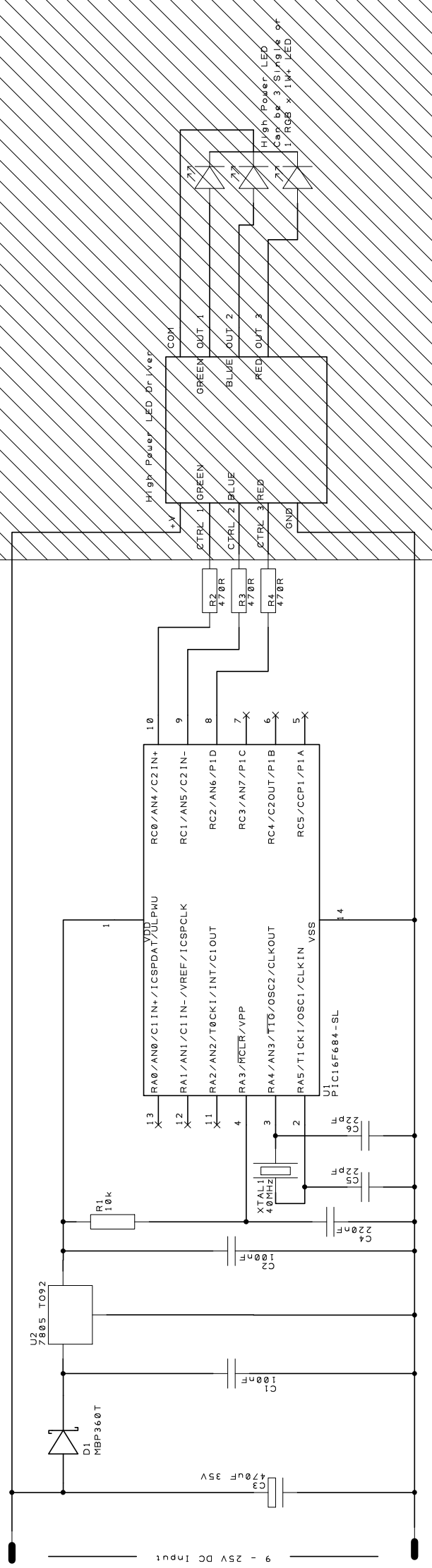


PIC16F684 Firelight Simulator

Logic Magic can provide various LED Drivers



User to define specific LED's and drivers to use